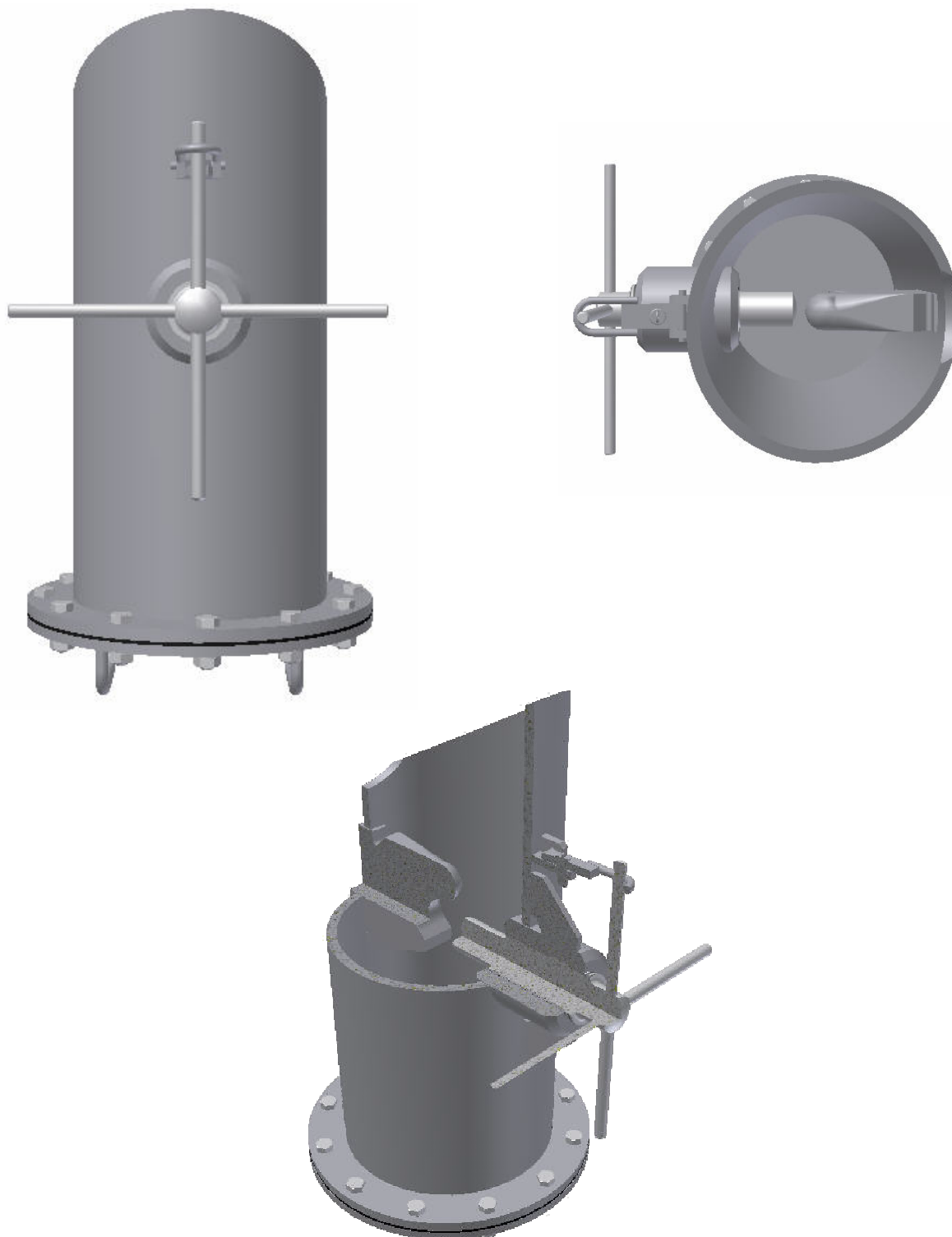


## TM 508001L End Fastening for Anchor Chain DIN 81860



**SECTION VIEW**

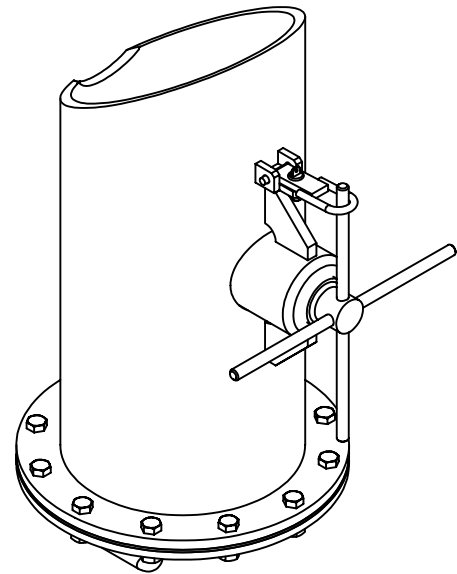
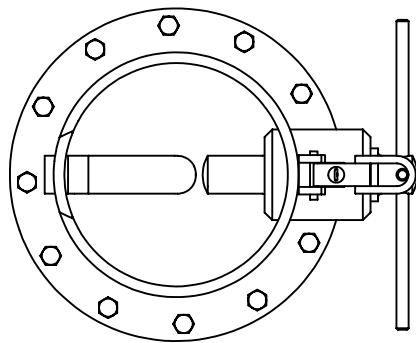
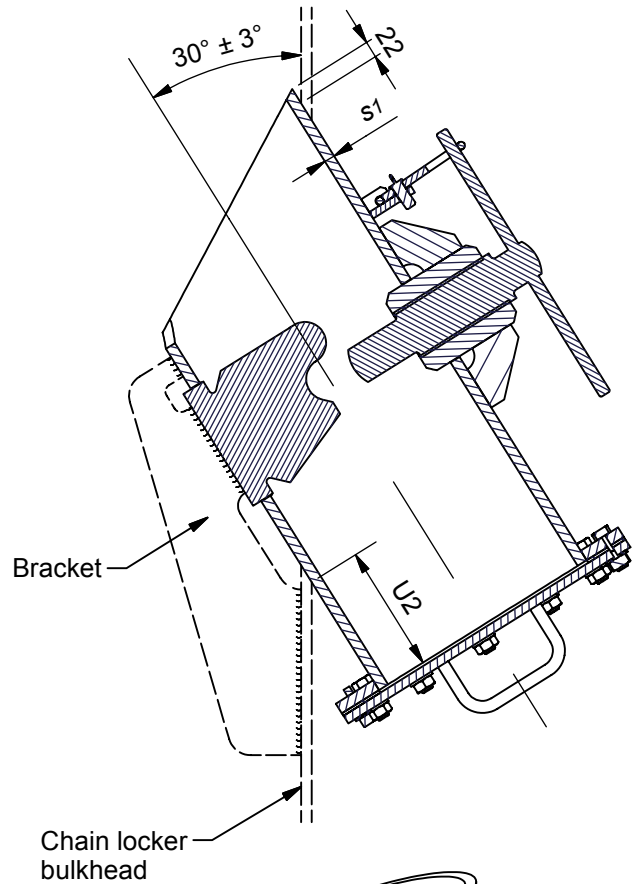
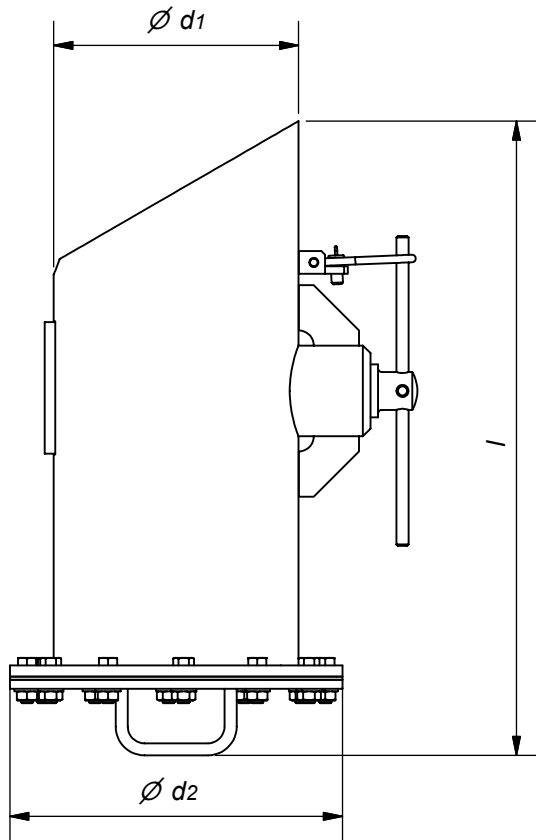
See reverse for details ⇒

**TECH-MARINE EQUIPMENT APS**

**ESRUMVEJ 421 • 3080 TIKØB • DENMARK**

E-mail: Tech-Marine@Tech-Marine.dk • www.tech-marine.dk

Phone +45 4970 4395 • Fax +45 4970 1769 • CVR 25 99 96 49



General dimensions				
Chain size (common link dia.)	Housing pipe	$\varnothing d_2$	$l$	$U_2$
	$\varnothing d_1 \times s_1$			
36 38 40 42 44 46	273,0 x 12,5	375	735	100
48 50 52 54 56	323,9 x 14,2	440	835	110
58 60 62 64 66 68	406,4 x 16,0	540	995	125
70 73 76 78 81	508 x 17,5	645	1245	130
84 87 90 92				
95 97 100 102 105	610,0 x 20,0	754	1430	140
107 111 114				
117 120 122 124 127	711,0 x 22,2	856	1615	145
130 132 137	813,0 x 22,2	958	1790	145
142 147 152	914,0 x 25,0	1060	1970	145

Material:  
S235, S275, S355 and S420 - EN 10025 or equivalent

Surface treatment:  
SA 2.5 + 25 my HEMPEL shopprimer ZS 15890 grey

Certificate: 3.1 EN 10204:2004  
Tolerances: EN 13290 / 22768

Order: TM508001L-common link dia.-chain grade  
Example: TM508001L-52-U3

### STANDARD

<b>Tech-Marine Equipment ApS</b> Esrumvej 421 - DK 3080 Tikøb Phone. +45 4970 4395 Fax. +45 4970 1769 Existing law protects TMs rights of possession to this drawing. The design or the drawing must not, without permission of TM be published, copied, reproduced, manufactured or exploited in any other way.	TM508001L	Date	Checked	Revision
	End Fastening for Anchor Chain DIN 81860	04-11-2013		B
	Assembly	Sheet	2 of 2	