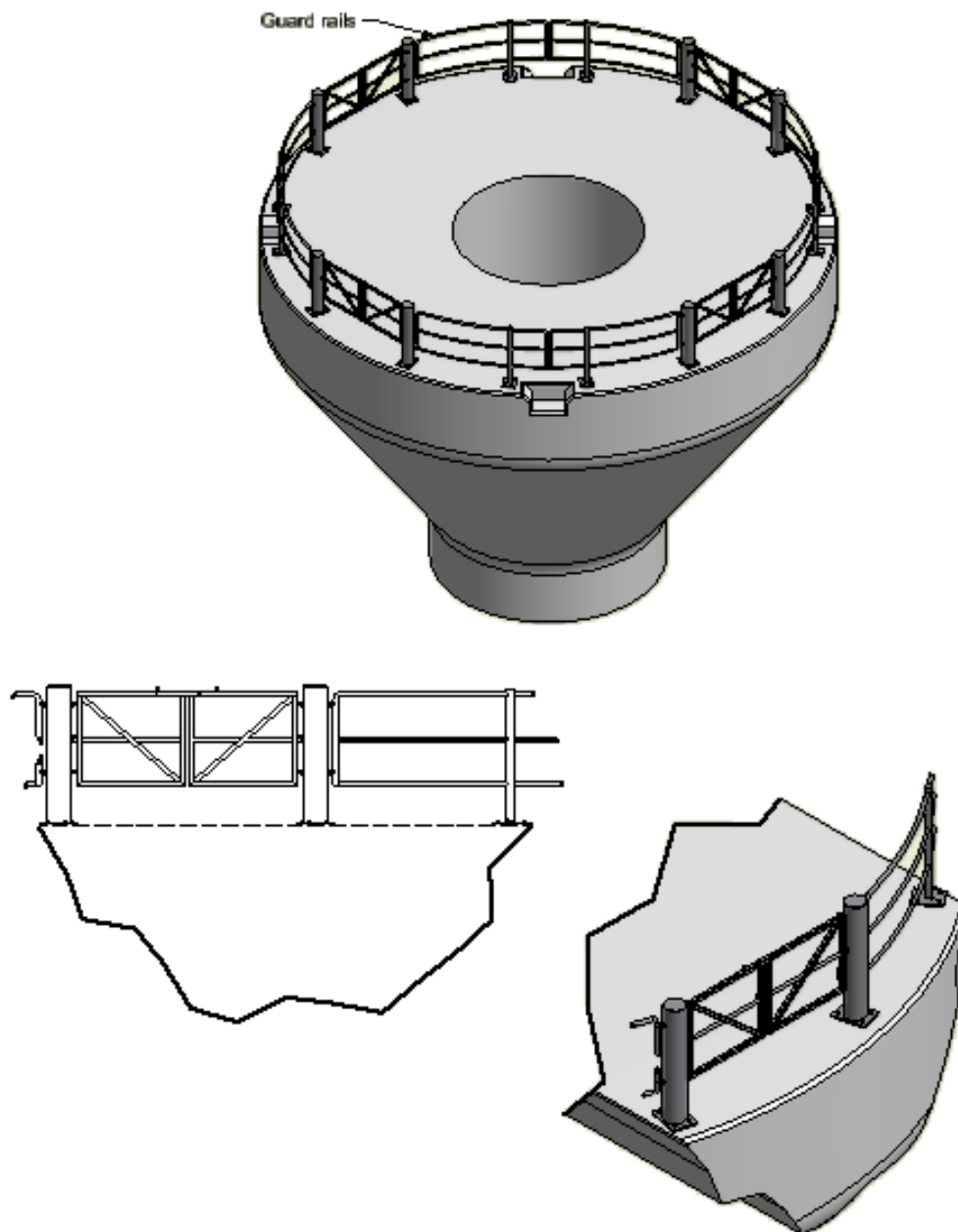
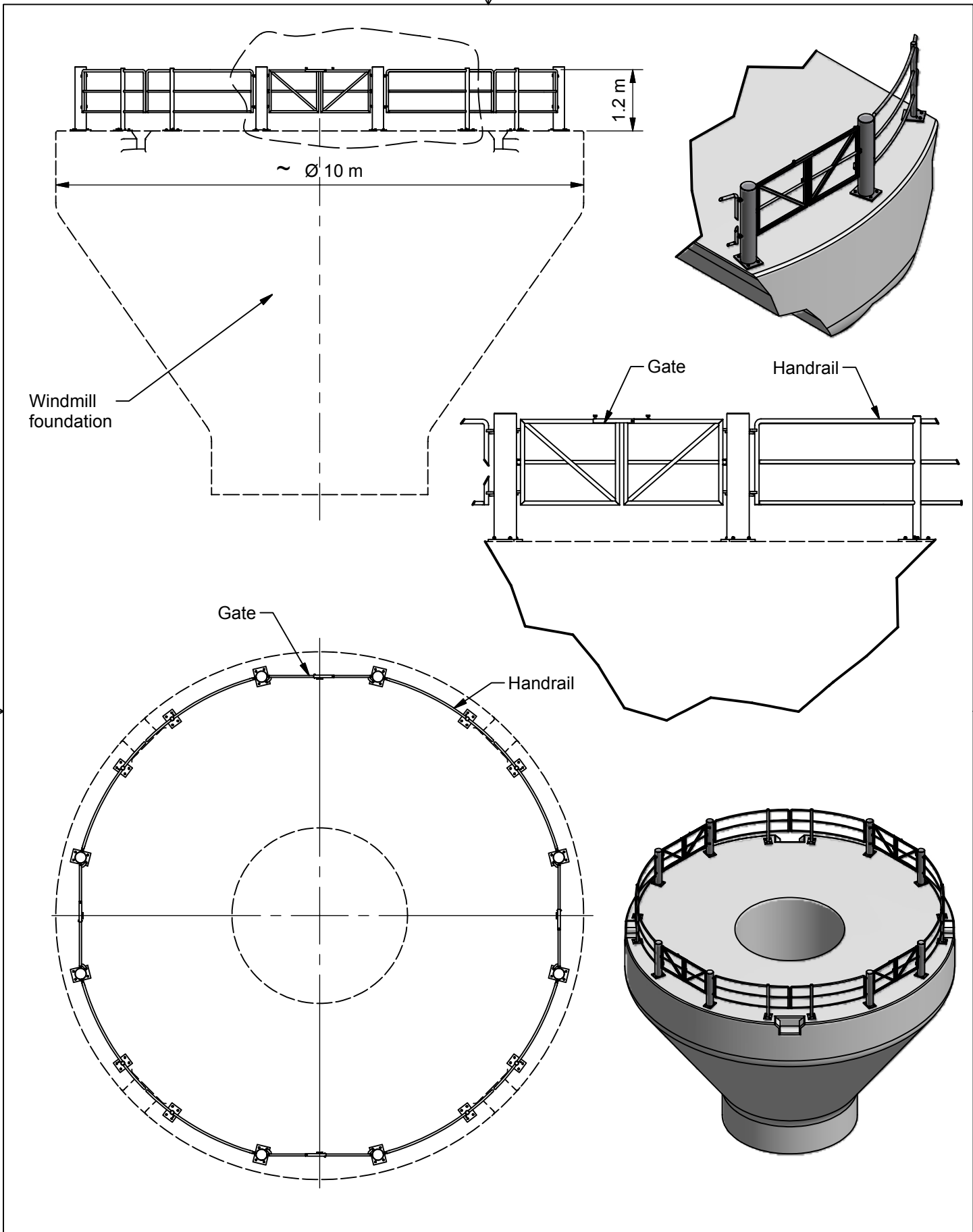


TM 518003L Guard Rails



See reverse for details ⇒



STANDARD

Tech-Marine Equipment ApS Esrumvej 421 - DK 3080 Tikøb Phone. +45 4970 4395 Fax. +45 4970 1769	TM518003L Guard Rails Windmill foundation equipment	Date	Checked by	Revision:
		18-09-2013		
		Sheet	2 of 2	

Existing law protects TMs rights of possession to this drawing. The design or the drawing must not, without permission of TM be published, copied, reproduced, manufactured or exploited in any other way.