

## TM 518001L Steel Moulds

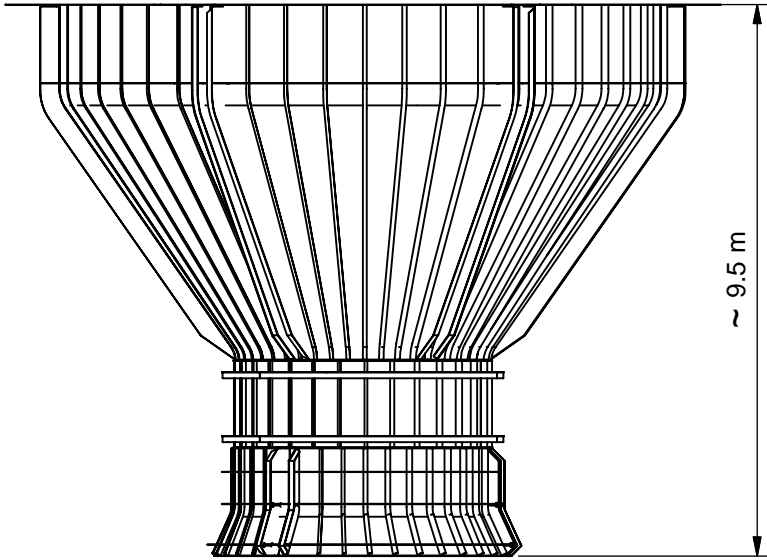


See reverse for details ⇒

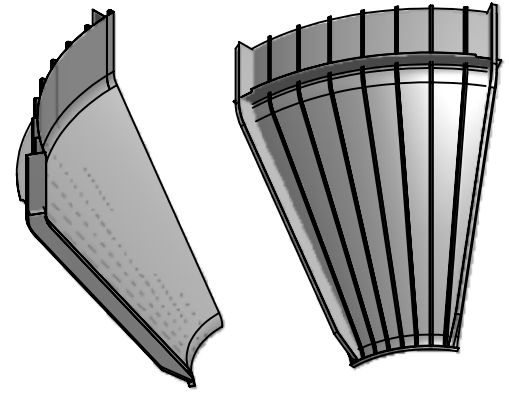
**TECH-MARINE EQUIPMENT APS**  
**ESRUMVEJ 421 • 3080 TIKØB • DENMARK**

E-mail: Tech-Marine@Tech-Marine.dk • www.tech-marine.dk  
Phone +45 4970 4395 • Fax: + 45 4970 1769 • CVR 25 99 96 49

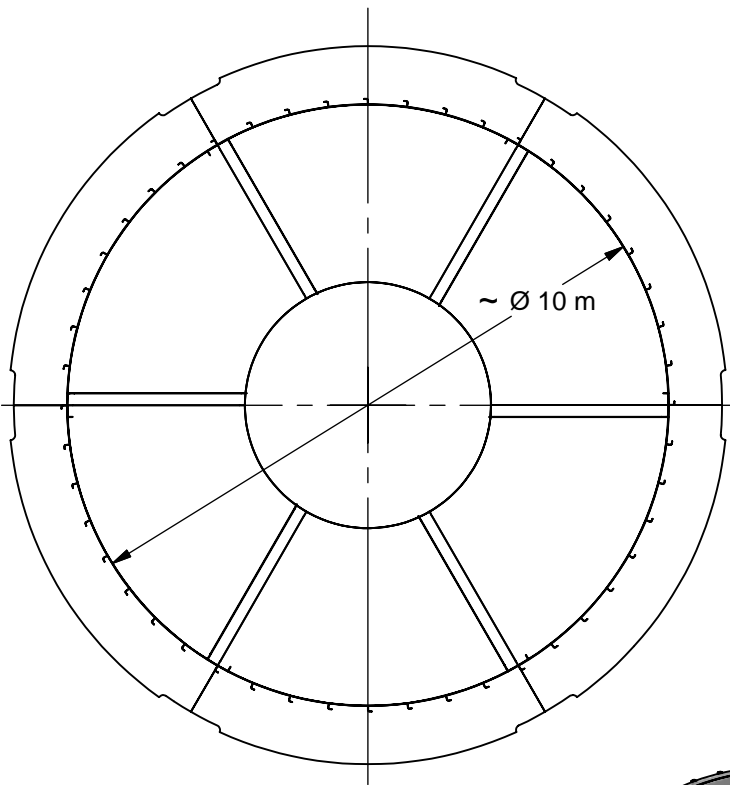
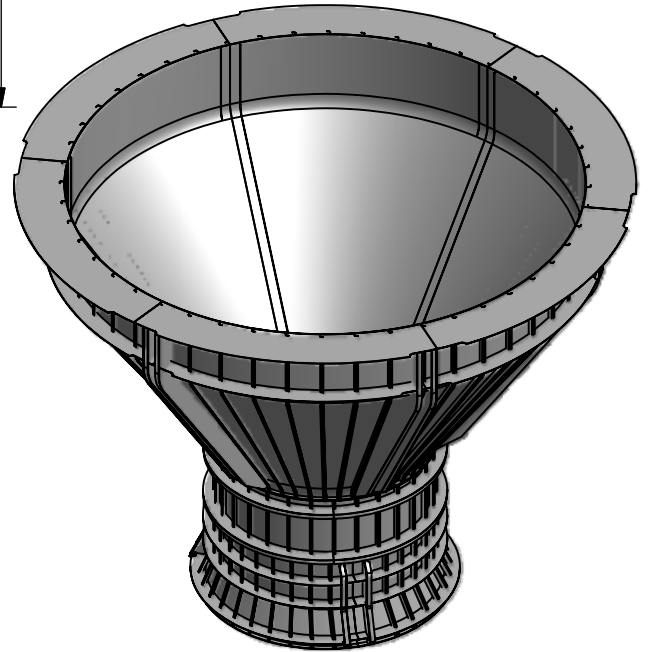
- Assembly -



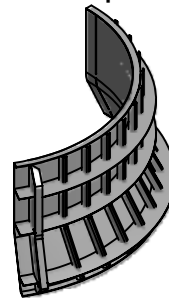
- Upper part -



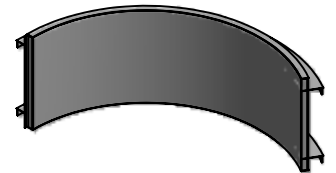
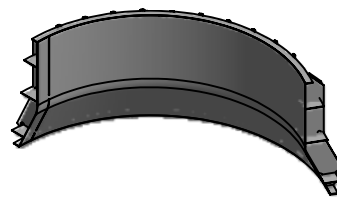
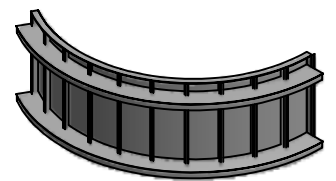
- Assembly -



- Lower part -



- Middle part -



STANDARD

<b>Tech-Marine Equipment ApS</b> Esrumvej 421 - DK 3080 Tikøb Phone. +45 4970 4395 Fax. +45 4970 1769	<b>TM518001L</b>  <b>Steel Moulds</b>  for concrete windmill foundation	Date	Checked by	Revision:
		18-09-2013		
		Sheet	2 of 2	

Existing law protects TMs rights of possession to this drawing. The design or the drawing must not, without permission of TM be published, copied, reproduced, manufactured or exploited in any other way.