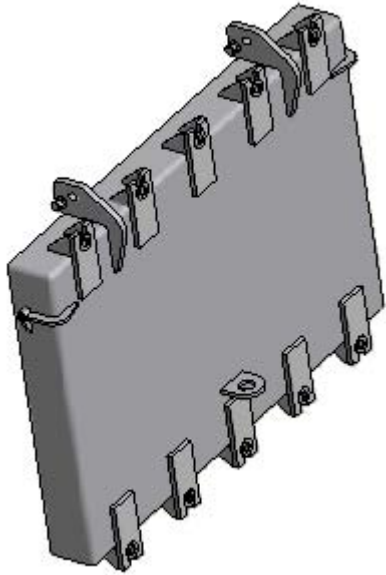
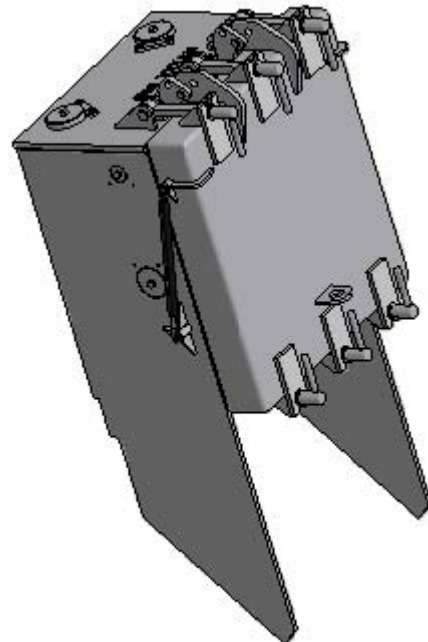
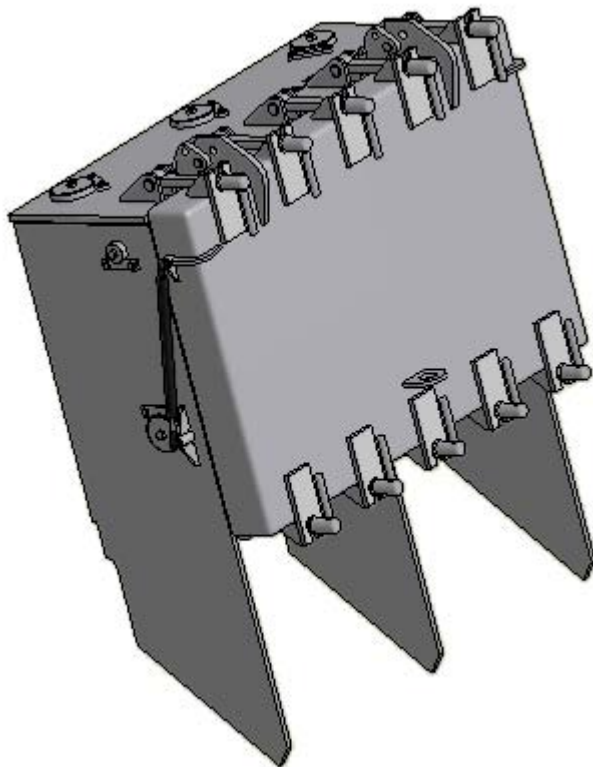
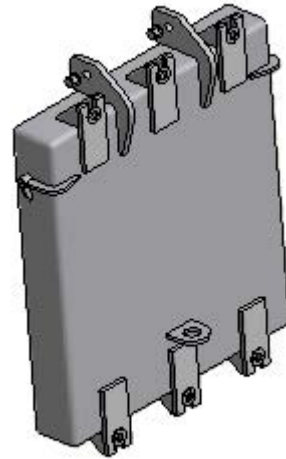


## TM 503011L-Small/Large – Water Tight Cover for Fairlead

Large Water Tight Cover  
for 7 to 10 Roller Fairleads



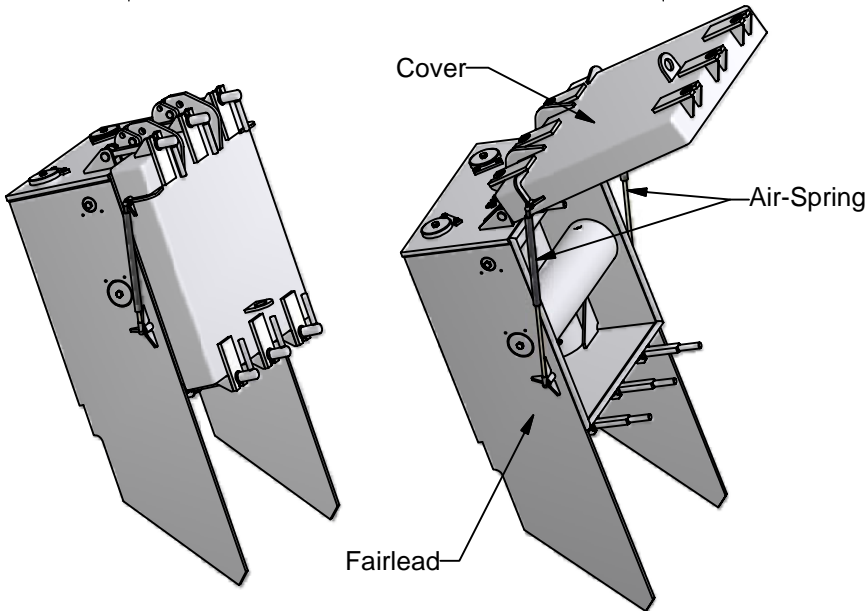
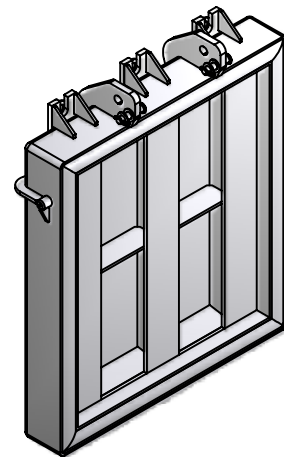
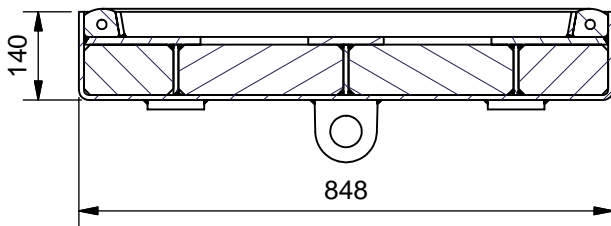
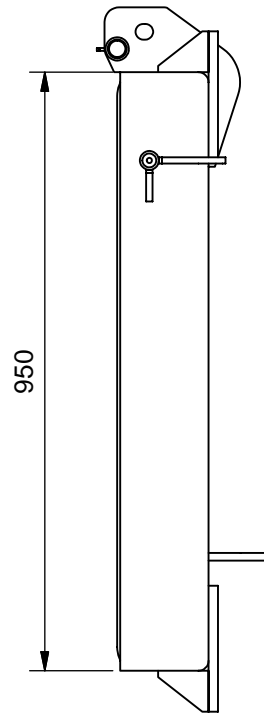
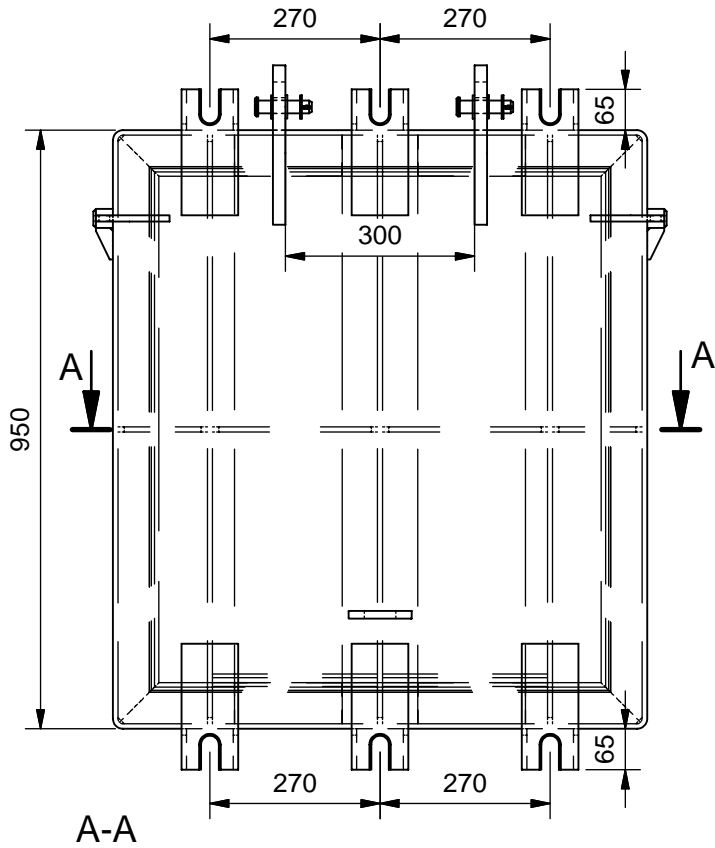
Small Water Tight Cover  
for 3 to 6 Roller Fairleads



See reverse for details ⇒

**TECH-MARINE EQUIPMENT APS**  
**ESRUMVEJ 421 • 3080 TIKØB • DENMARK**

E-mail: [Tech-Marine@Tech-Marine.dk](mailto:Tech-Marine@Tech-Marine.dk) • [www.tech-marine.dk](http://www.tech-marine.dk)  
Phone +45 4970 4395 • Fax: + 45 4970 1769 • CVR 25 99 96 49



Water tight cover for slamming

Design load = 77 (ts/m<sup>2</sup>)  
Safety factor to yield F<sub>s</sub>=2

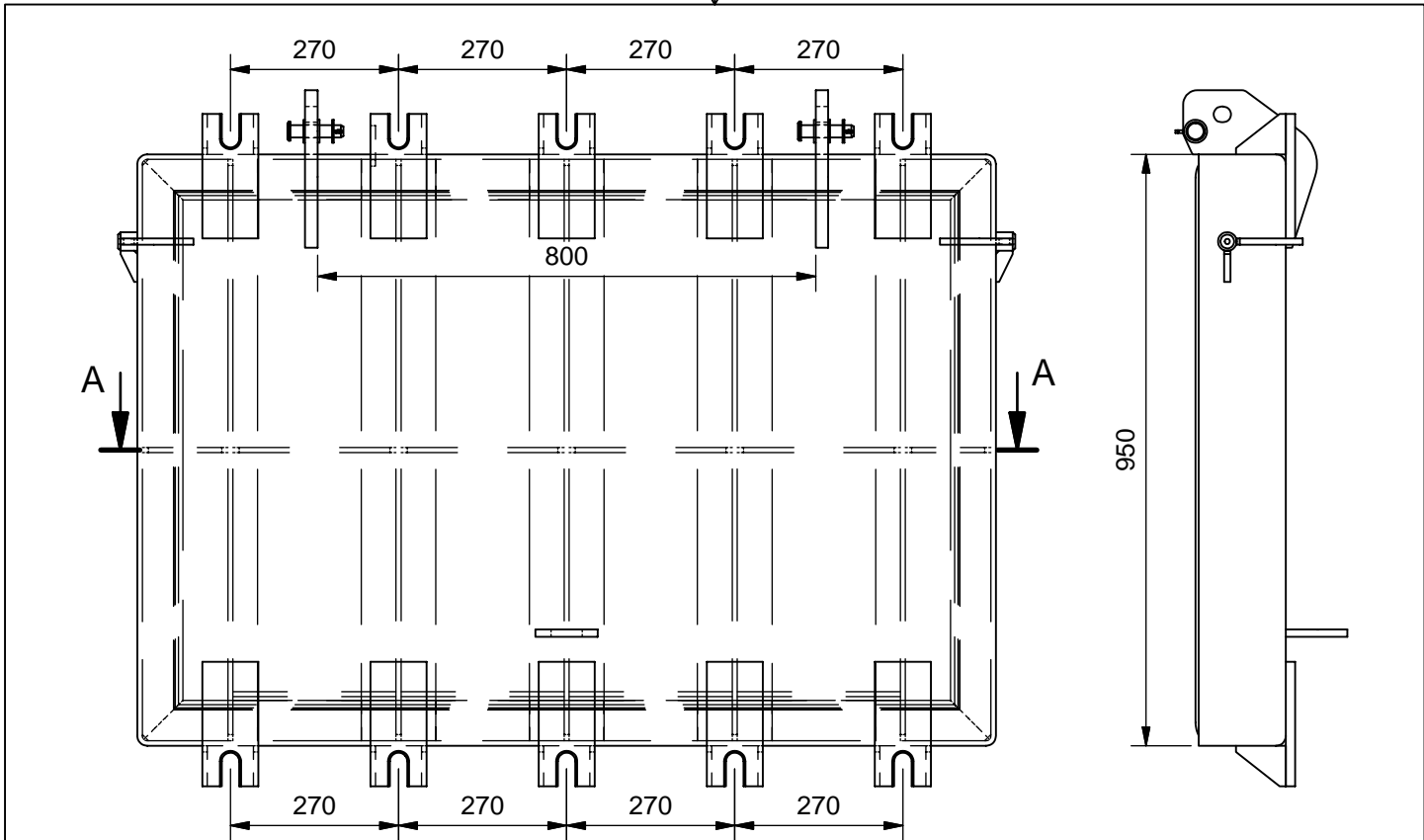
**Type A** - without Air-Spring  
**Type B** - with Air-Spring

**Order:** TM 503011L - Small - Type  
*example:* TM 503011L - Small -Type A

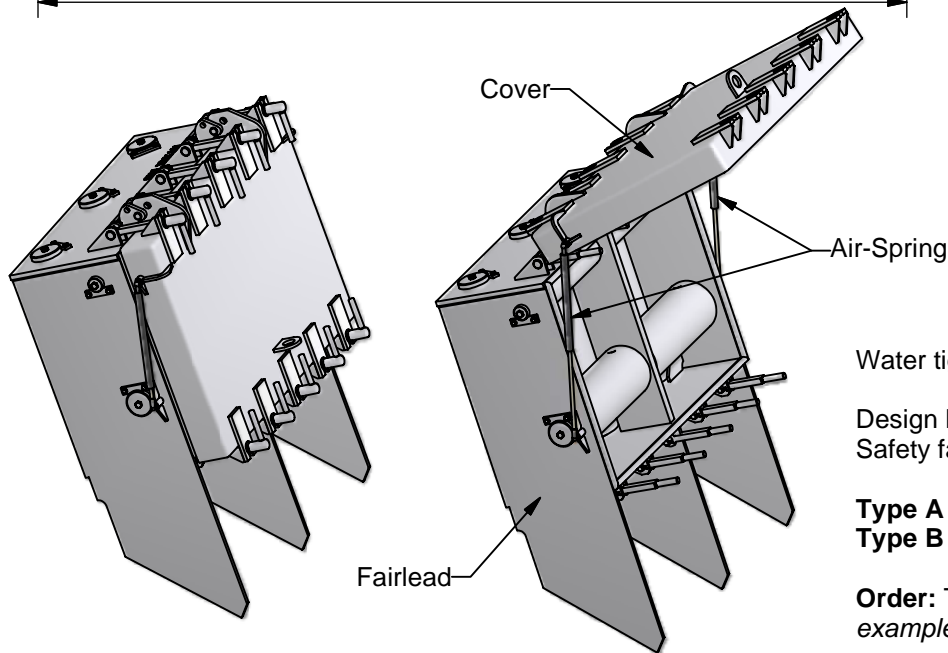
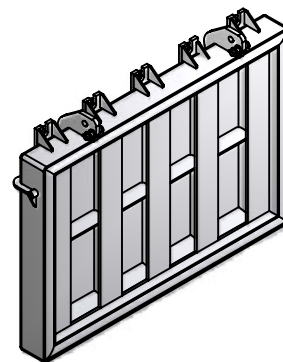
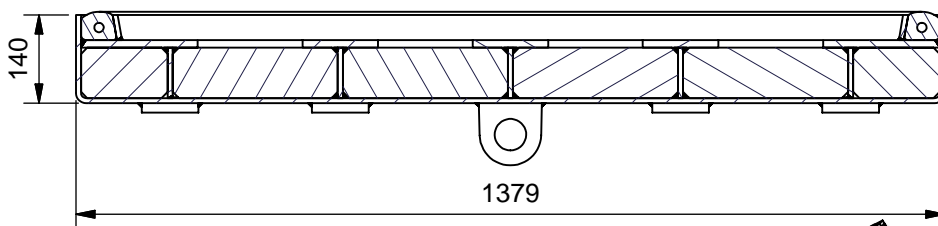
**STANDARD**

|   |   |            |            |           |
|---|---|------------|------------|-----------|
| <b>Tech-Marine Equipment ApS</b><br>Esrumvej 421 - DK 3080 Tikøb<br>Phone +45 4970 4395 Fax +45 4970 1769 | <b>TM 503011L - Small</b><br><br><b>Water Tight Cover for<br/>         3, 4, 5 &amp; 6 Roller Fairleads</b> | Date       | Checked by | Revision: |
|   |   | 03-04-2009 |            |           |
|   |   | Sheet      | 2 of 3     |           |

Existing law protects TMs rights of possession to this drawing. The design or the drawing must not, without permission of TM be published, copied, reproduced, manufactured or exploited in any other way.



A-A



Water tight cover for slamming

Design load = 77 (ts/m<sup>2</sup>)  
Safety factor to yield Fs=2

**Type A** - without Air-Spring  
**Type B** - with Air-Spring

**Order:** TM 503011L - Large - Type  
**example:** TM 503011L - Large - Type A

**STANDARD**

|   |   |            |            |           |
|---|---|------------|------------|-----------|
| <p><b>Tech-Marine Equipment ApS</b><br/>Esrumvej 421 - DK 3080 Tikøb<br/>Pone +45 4970 4395 Fax +45 4970 1769</p> | <p><b>TM 503011L - Large</b><br/><b>Water Tight Cover for</b><br/><b>7, 8, 9 &amp; 10 Roller Fairlead</b></p> | Date       | Checked by | Revision: |
|   |   | 03-04-2009 |            |           |
|   |   | Sheet      | 3 of 3     |           |

Existing law protects TMs rights of possession to this drawing. The design or the drawing must not, without permission of TM be published, copied, reproduced, manufactured or exploited in any other way.