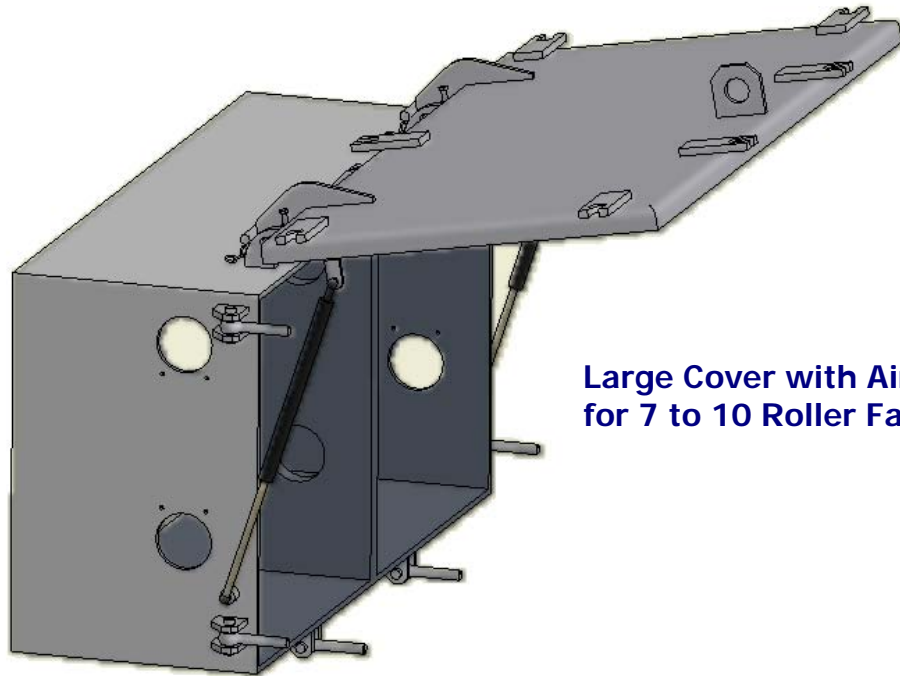


TM 503010L-Small/Large – Weather Tight Cover with Air-Spring for Fairlead



**Large Cover with Air-Spring
for 7 to 10 Roller Fairlead**



**Small Cover with Air-Spring
for 3 to 6 Roller Fairlead**

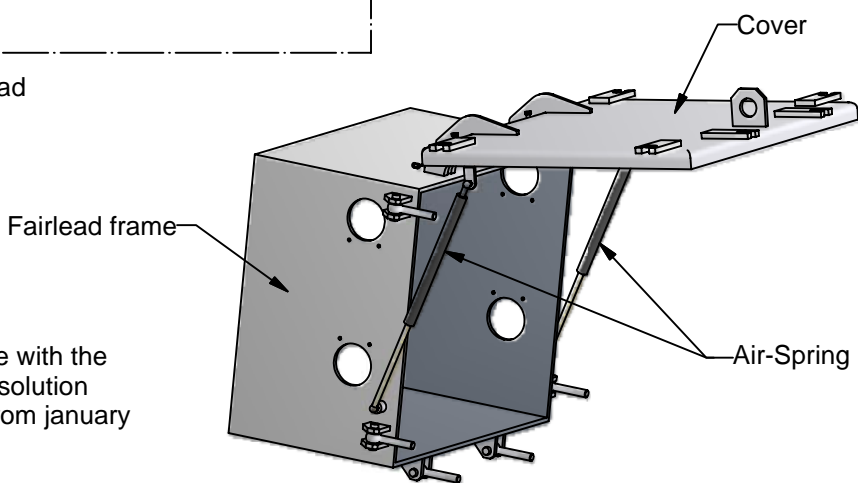
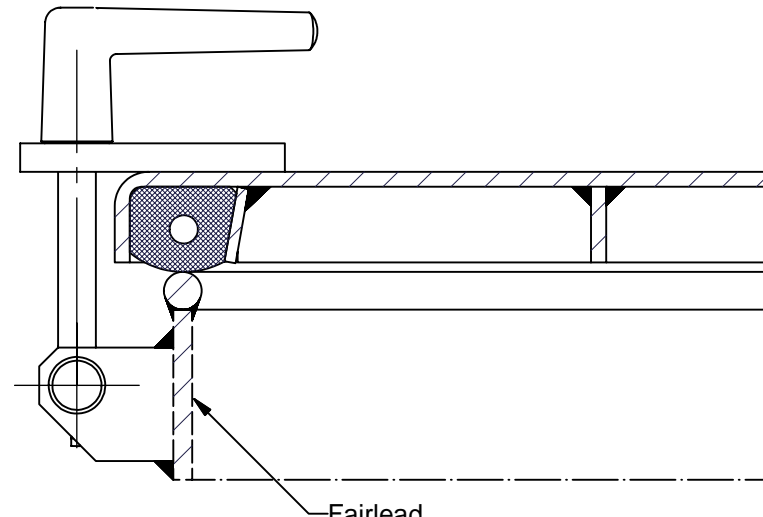
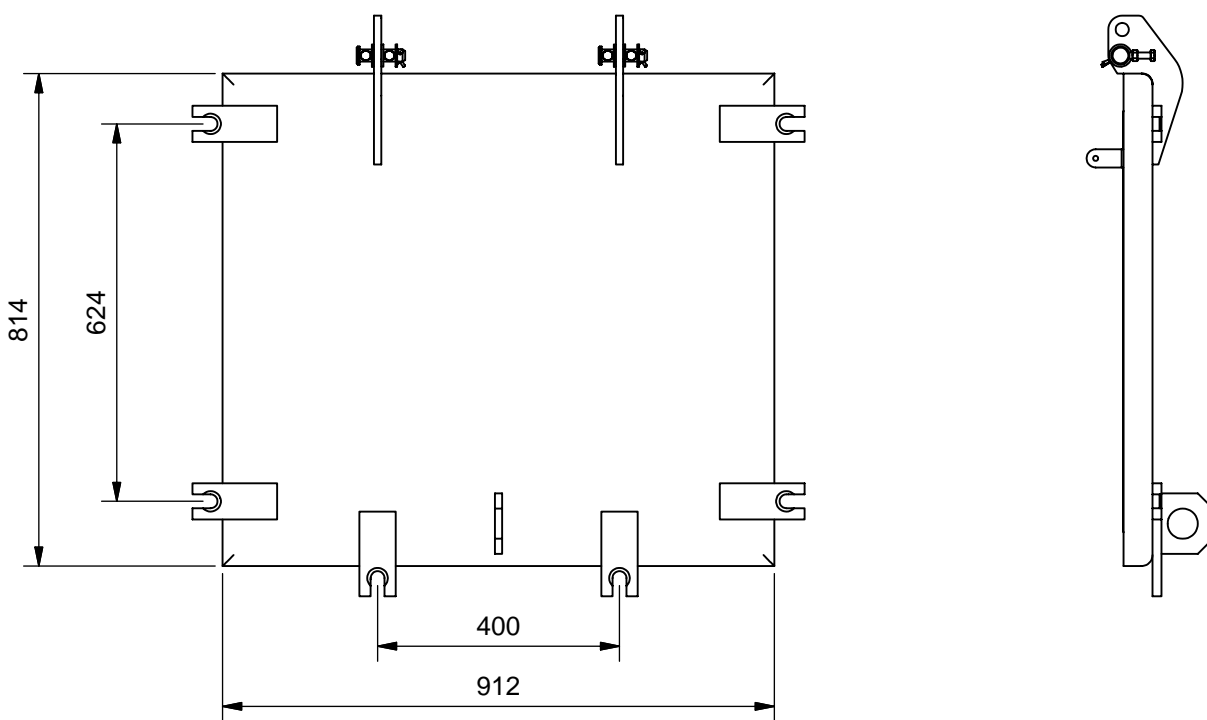
See reverse for details ⇒

TECH-MARINE EQUIPMENT APS

ESRUMVEJ 421 • 3080 TIKØB • DENMARK

E-mail: Tech-Marine@Tech-Marine.dk • www.tech-marine.dk

Phone +45 4970 4395 • Fax: + 45 4970 1769 • CVR 25 99 96 49

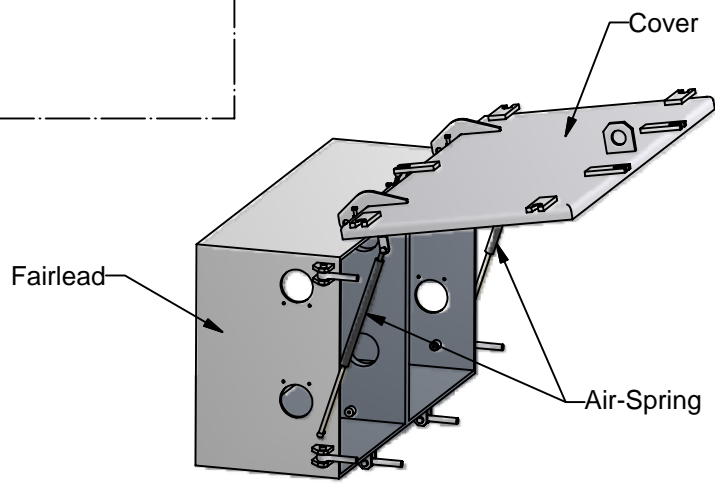
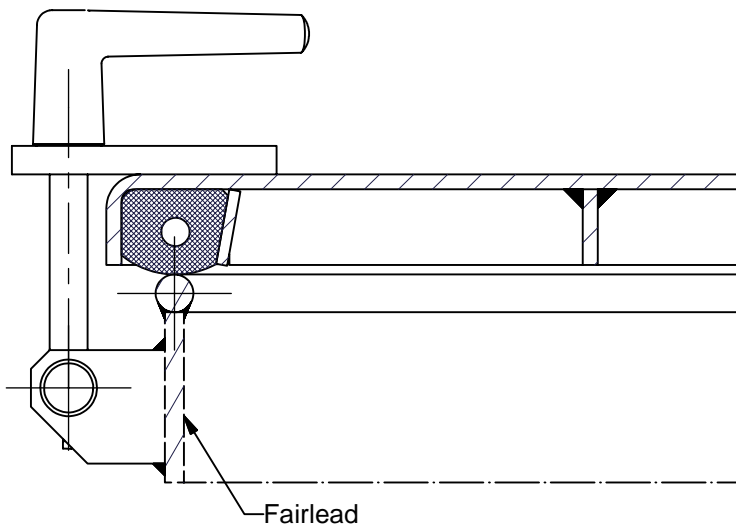
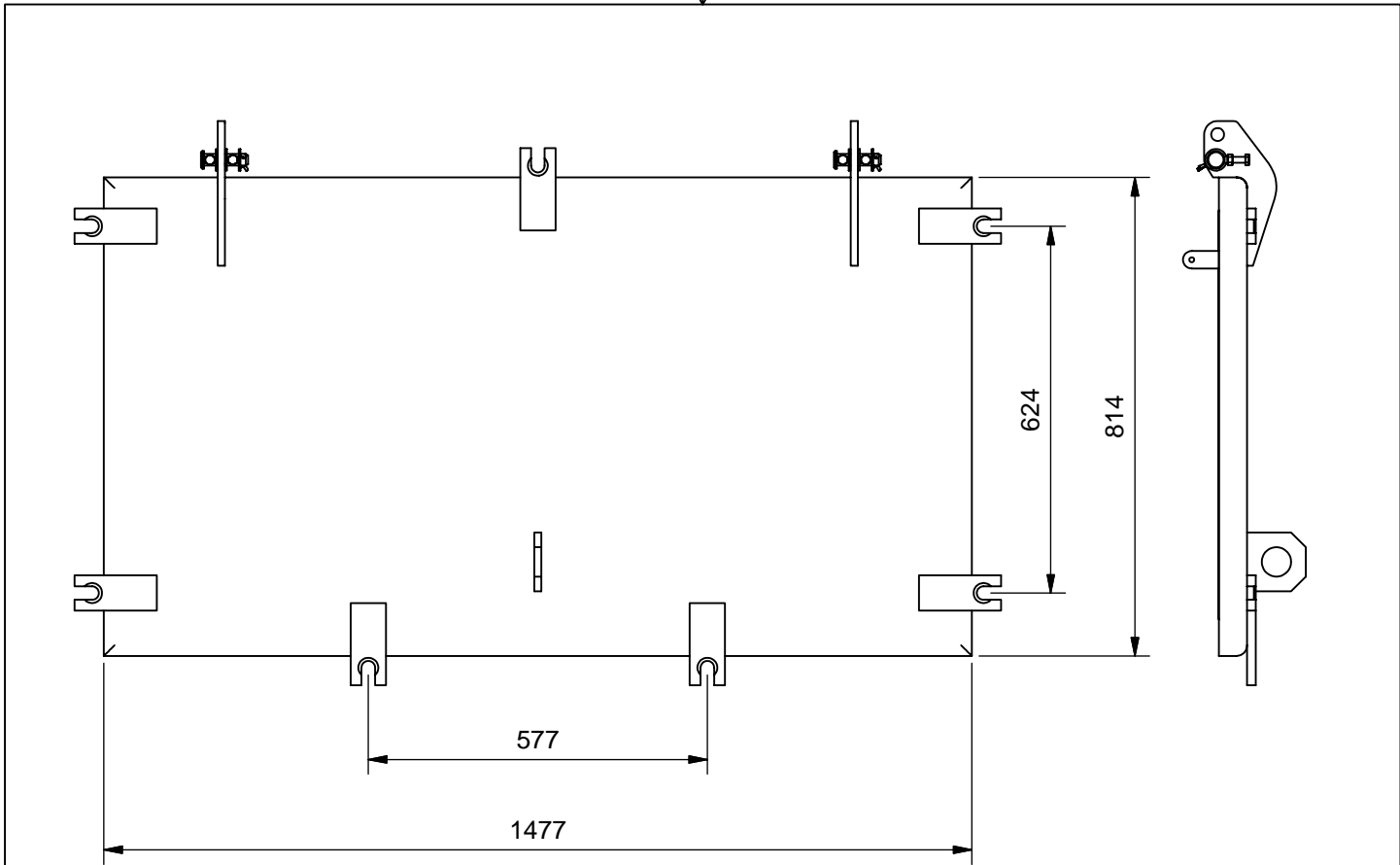


Weather Tight Cover in compliance with the 1966 load line conventions IMO resolution MSC.143(77). Entered into force from January 1st 2005.

Order: TM 503010L - Small

STANDARD

Tech-Marine Equipment ApS Esrumvej 421 - DK 3080 Tikøb Phone. +45 4970 4395 Fax. +45 4970 1769	TM 503010L Small			Date	Checked by	Revision:
	Weather Tight Cover with Air-Spring for			23-03-2009		B
	For 3,4,5 and 6 Roller Fairleads			Sheet	2 of 3	



Weather tight Cover in compliance with the 1966 load line conventions IMO resolution MSC.143(77). Entered into force from January 1st 2005.

Order: TM 503010L - Large

STANDARD

Tech-Marine Equipment ApS Esrumvej 421 - DK 3080 Tikøb Phone. +45 4970 4395 Fax. +45 4970 1769	TM 503010L Large Weather Tight Cover with Air-Spring for 7,8,9 and 10 Roller Fairleads	Date	Checked by	Revision:
		23-03-2009		B
		Sheet	3 of 3	

Existing law protects TMs rights of possession to this drawing. The design or the drawing must not, without permission of TM be published, copied, reproduced, manufactured or exploited in any other way.