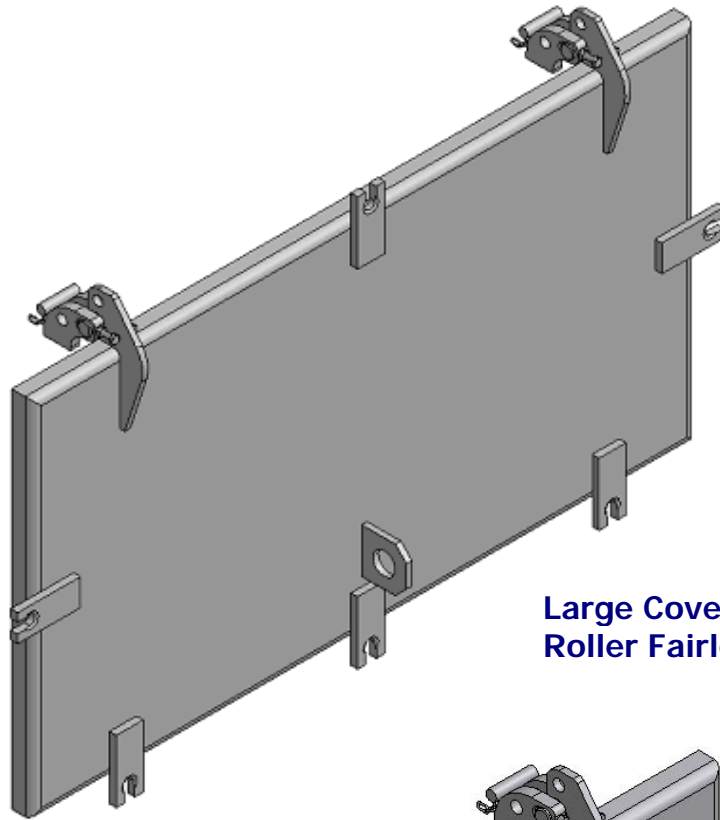
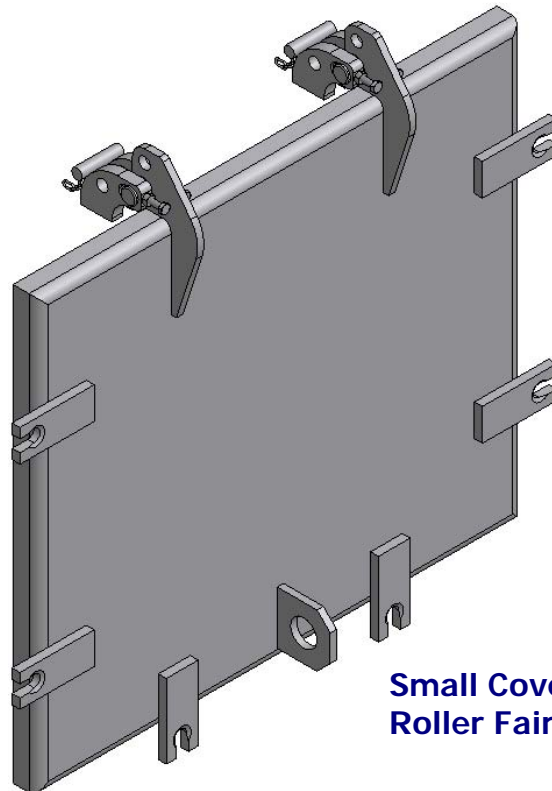


## TM 503009L-Small/Large Cover for Fairlead



**Large Cover for 7 to 10  
Roller Fairlead**

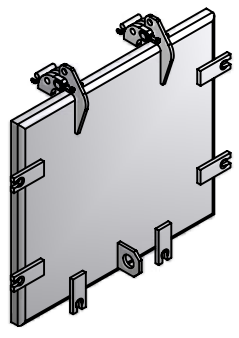
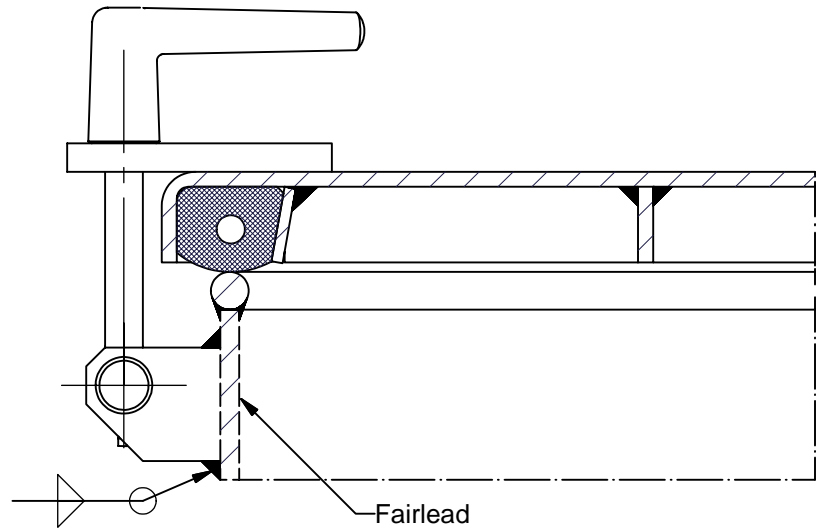
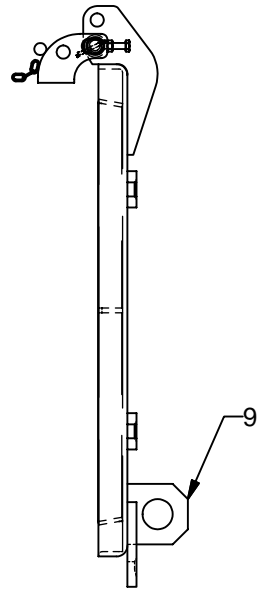
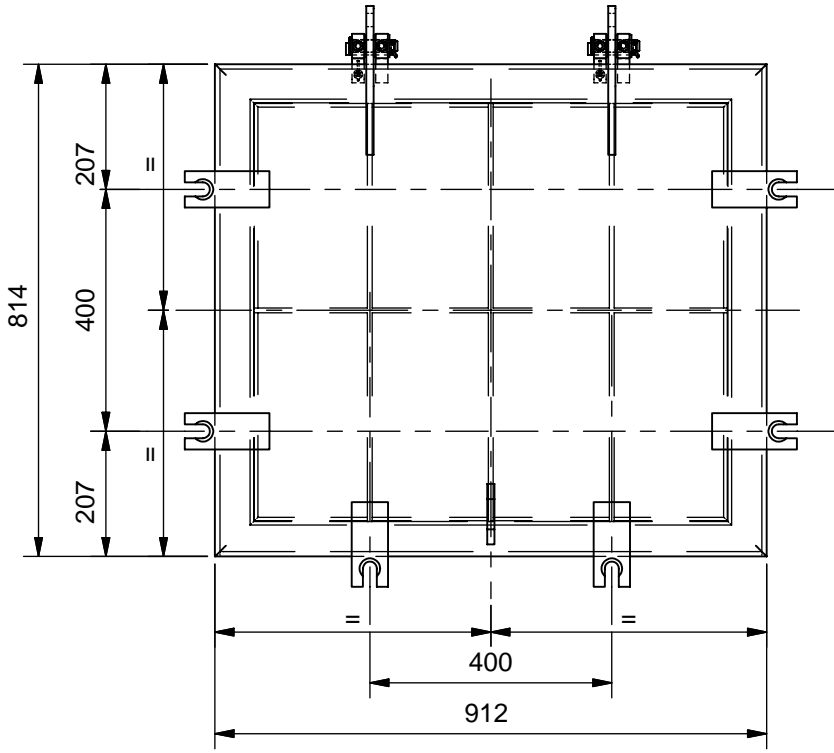


**Small Cover for 3 to 6  
Roller Fairlead**

See reverse for details ⇒

**TECH-MARINE EQUIPMENT APS  
ESRUMVEJ 421 • 3080 TIKØB • DENMARK**

E-mail: Tech-Marine@Tech-Marine.dk • www.tech-marine.dk  
Phone +45 4970 4395 • Fax: + 45 4970 1769 • CVR 25 99 96 49

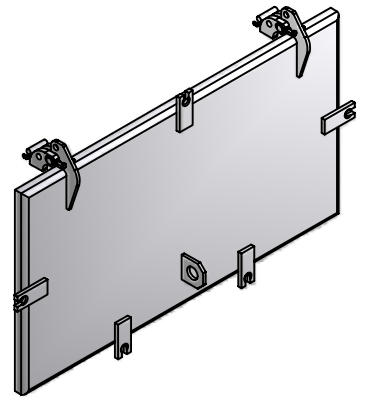
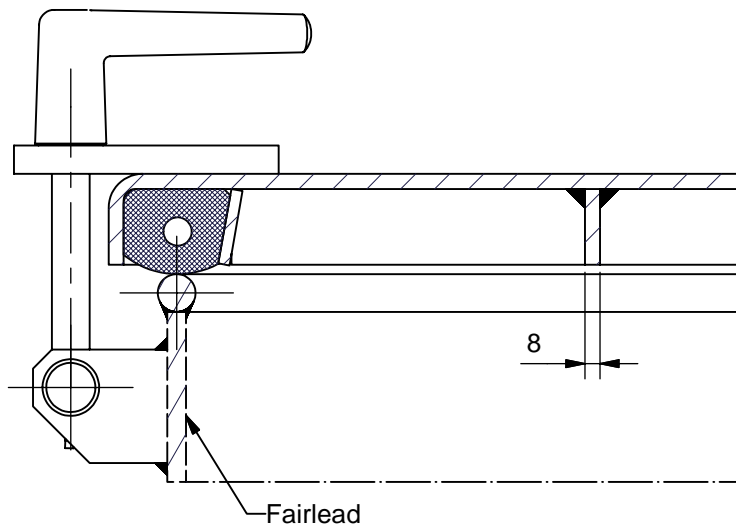
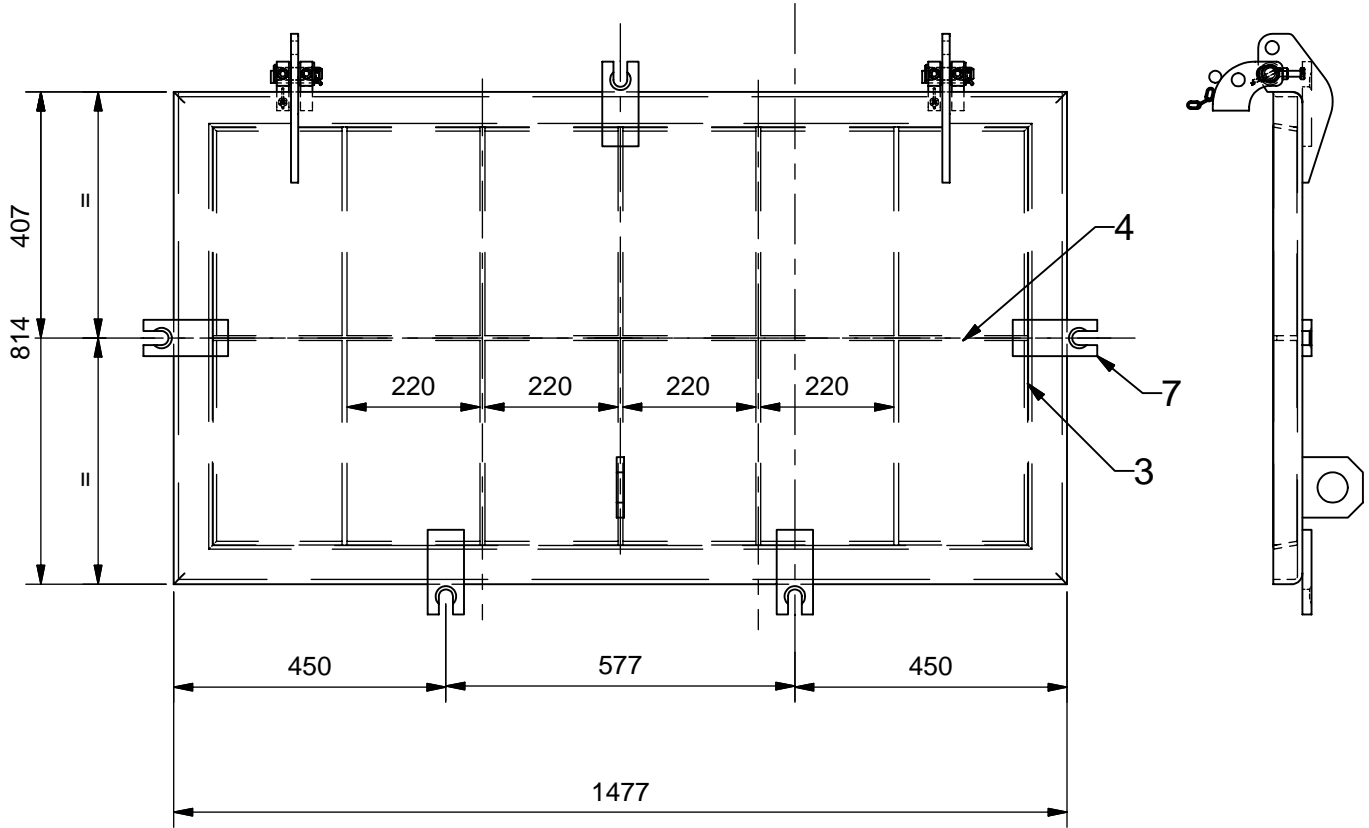


Weather Tight Steel Cover in compliance with the 1966 load line conventions IMO resolution MSC.143(77). Entered into force from January 1st 2005.

**STANDARD**

<b>Tech-Marine Equipment ApS</b> Esrumvej 421 - DK 3080 Tikøb Phone. +45 4970 4395 Fax. +45 4970 1769	<b>TM503009L Small</b>  <b>Universal Fairlead Cover</b>  <b>Weather Tight Steel Cover for 3,4,5 and 6 Roller Fairleads</b>	Date	Checked by	Revision:
		23-03-2009		A
		Sheet	2 of 3	

Existing law protects TMs rights of possession to this drawing. The design or the drawing must not, without permission of TM be published, copied, reproduced, manufactured or exploited in any other way.



Weather Tight Steel Cover in compliance with the 1966 load line conventions IMO resolution MSC.143(77). Entered into force from January 1st 2005.

**STANDARD**

<b>Tech-Marine Equipment ApS</b> Esrumvej 421 - DK 3080 Tikøb Phone. +45 4970 4395 Fax. +45 4970 1769	<b>TM503009L Large</b>  <b>Universal Fairlead Cover</b>  <b>Weather Tight Steel Cover</b> <b>for 7,8,9 and 10 Roller Fairleads</b>	Date	Checked by	Revision:
		23-03-2009		A
		Sheet	3 of 3	

Existing law protects TMs rights of possession to this drawing. The design or the drawing must not, without permission of TM be published, copied, reproduced, manufactured or exploited in any other way.