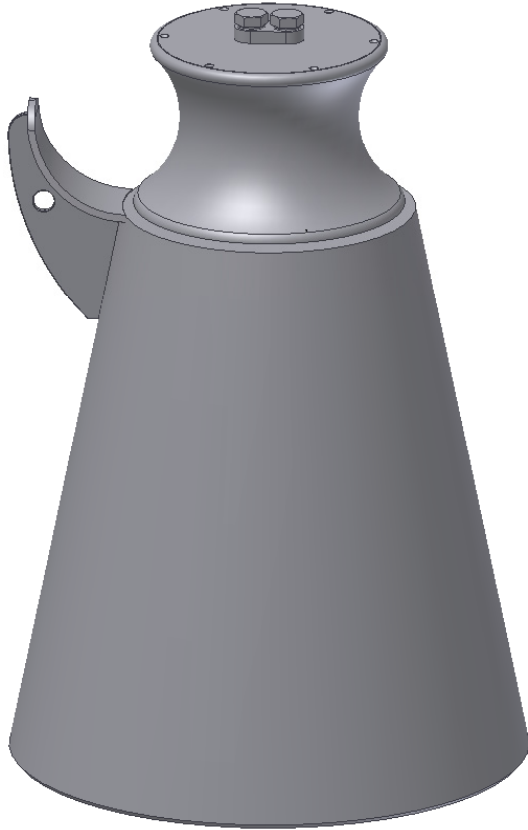
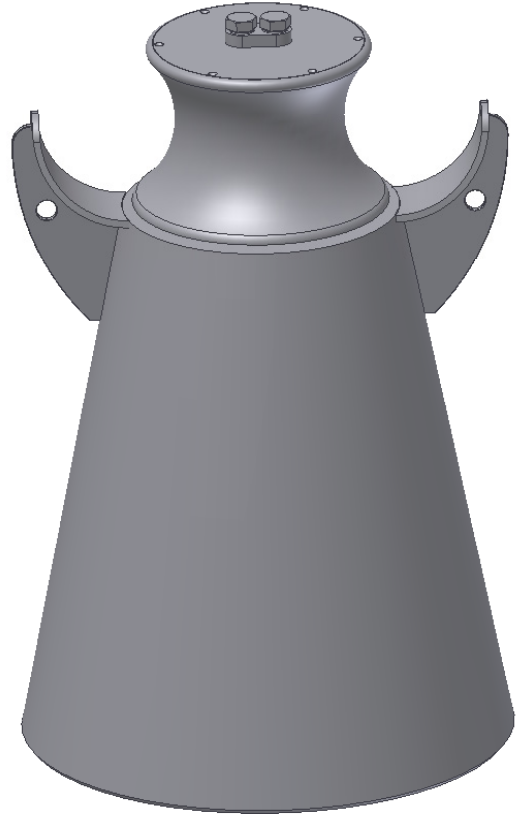


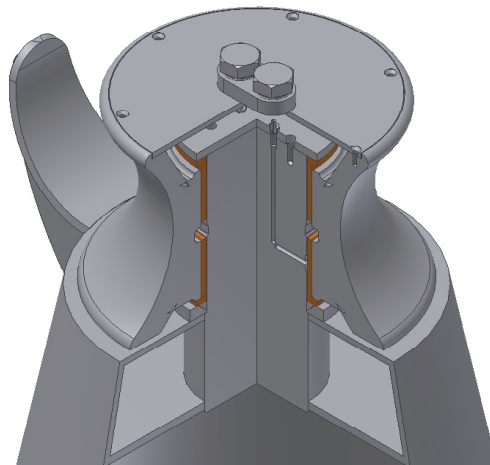
TM 501004L Conical Single Roller Foundation Fincantieri Shape



Type A



Type B



SECTION VIEW

See reverse for details ⇒

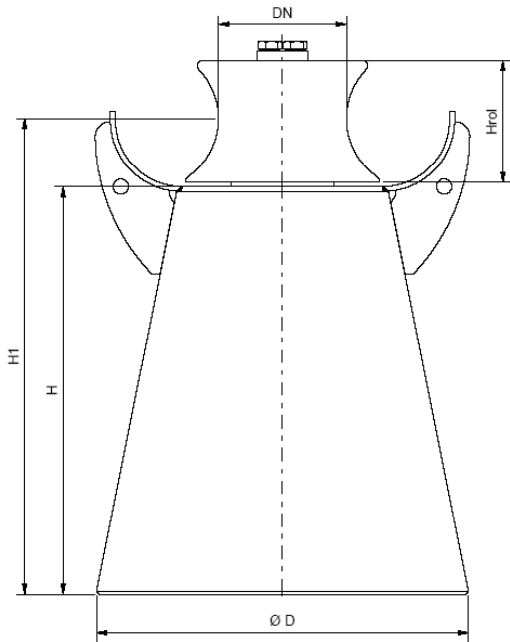
TECH-MARINE EQUIPMENT APS

ESRUMVEJ 421 • 3080 TIKØB • DENMARK

E-mail: Tech-Marine@Tech-Marine.dk • www.Tech-Marine.dk

Phone +45 4970 4395 • Fax + 45 4970 1769 • CVR 25 99 96 49

Conical single roller foundation



Nominal dimensions, in mm			SWL kN	Rope load (MBL) kN	Winding angle Deg.	Dim. in mm	
DN	Hrol	H1				H	D
160	157	390.5	380	190	0	300	380
		490.5				400	420
		590.5				500	460
		690.5				600	500
		790.5				700	540
		890.5				800	580
		990.5				900	620
		1090.5				1000	660
		1190.5				1100	700
		1290.5				1200	740
		1390.5				1300	780
200	200	412	630	315	0	400	460
		512				400	500
		612				500	540
		712				600	580
		812				700	620
		912				800	660
		1012				900	700
		1112				1000	740
		1212				1100	780
		1312				1200	820
		1412				1300	860
250	240	532	950	475	0	400	570
		632				500	610
		732				600	650
		832				700	690
		932				800	730
		1032				900	770
		1132				1000	810
		1232				1100	850
		1332				1200	890
		1432				1300	930
		1532				1400	970
1632	1500	1010					
350	325	574.5	1350	675	0	400	710
		674.5				500	750
		774.5				600	790
		874.5				700	830
		974.5				800	870
		1074.5				900	910
		1174.5				1000	950
		1274.5				1100	990
		1374.5				1200	1030
		1474.5				1300	1070
		1574.5				1400	1110
1674.5	1500	1150					
450	410	617	1775	888	0	400	804
		717				500	848
		817				600	892
		917				700	936
		1017				800	980
		1117				900	1025
		1217				1000	1069
		1317				1100	1113
		1417				1200	1157
		1517				1300	1202
		1617				1400	1246
1717	1500	1290					

Material:
Foundation: S355J2 - EN10025 or equivalent

Certificate:
3.1 acc. To EN 10204:2004

Surface Treatment:
Abrasive blasting Sa 2.5
External: 25 micros of Hempel's shopprimerZS 15890
Internal: Two layers 125 micron Hempel Mempadur 45143 or equivalent

Type:
Type A: one Rope Guard
Type B: Two Rope Guards

The foundation is in compliance with IMO Guidance, MSC/Circ. 1175 of May 2005 and IACS UR A2 rev. 3.

Design load 1.25 x SWL
Allowable stresses 100/60 % of min yield point

Upon installation the supporting structure should be test loaded to the specified SWL and test certificate issued.
The test certificate should be available for inspection on board ship.

Suitable strengthening at deck/shell bulwark by the yard.

ORDER: TM501004L-DN-H1 TYPE
example: TM501004L-350-975 Type A

STANDARD

Tech-Marine Equipment ApS Esrumvej 421 - DK 3080 Tikøb Phone. +45 49704395 Fax. +45 49701769 Existing law protects TMs rights of possession to this drawing. The design or the drawing must not, without permission of TM be published, copied, reproduced, manufactured or exploited in any other way.	TM 501004L Conical single Roller foundation - Fincantieri shape for Roller type TM 501005L	Date	Checke d	Rev.
		28-01-2011		G
		Sheet	2 of 2	